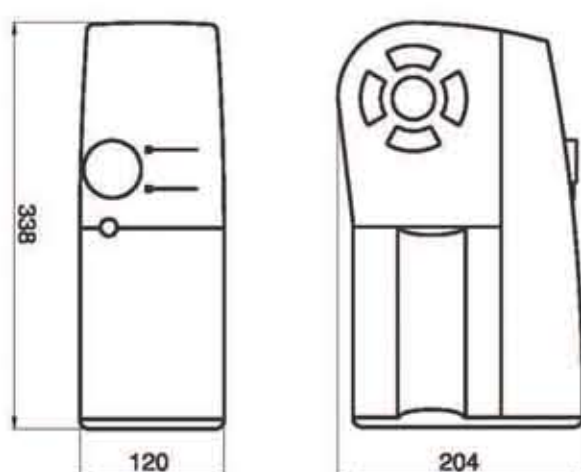


		VIS	
Superficie max anta	mq	22/34	
Allimentazione motore	V	230V a.c.	
Potenza	W	450	
Spinta	N	45/70	
Peso	kg	15	
Temperatura di esercizio	°C Min/Max	-20 +50	
Grado di protezione	IP	54	
Intermittenza lavoro	%	35	
Velocità	rpm	20	
Termoprotezione	°C	140	



		VIS	
Door max surface	mq	22/34*	
Motor supply	V	230V 50Hz	
Power	W	450	
Pair	Nm	45/70*	
Weight	Kg	15	
Thermal cut-out	°C	140	
Working temperature	°C Min/Max	-20 +50	
Protection level	IP	54	
Speed	rpm	20	
Intermittence work cycle	%	35	

VISFX1



Standard fixing bracket
(Pcs/Box 1)

VISMV



Manual winch (10 mt chain)
(Pcs/Box 1)

VISBLK



Unblocking system H=3 metri.
(Pcs/Box 1)

VISCH*



Kit chain
(Pcs/Box 1)

GEVISR DL



Control unit.
(Pcs/Box 1)

GEVISR DL AC



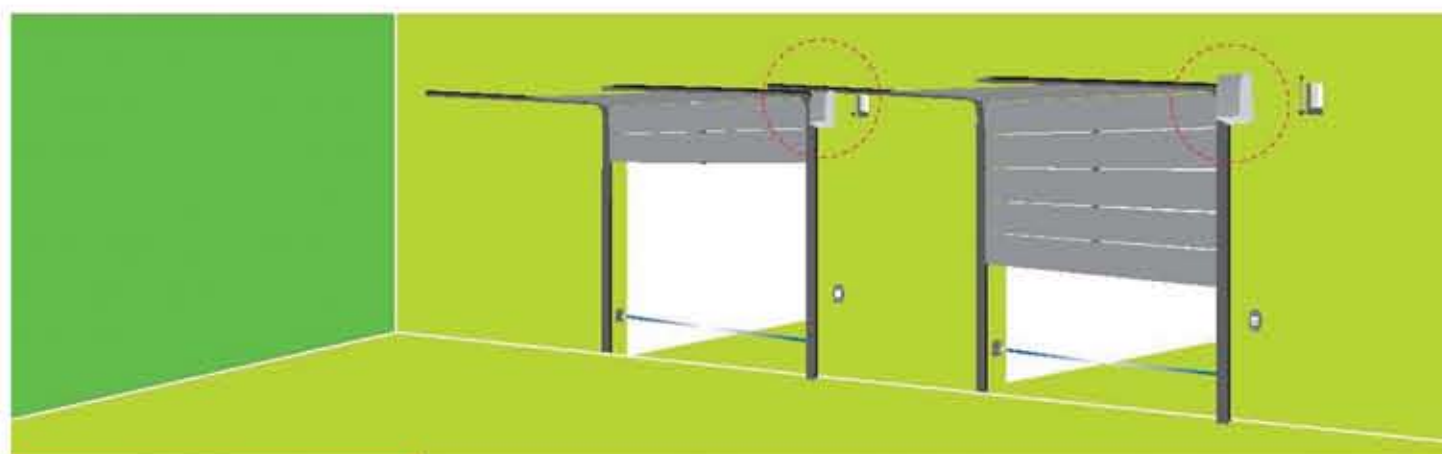
Control unit with pushbuttons.
(Pcs/Box 1)

TL



Warning sign.

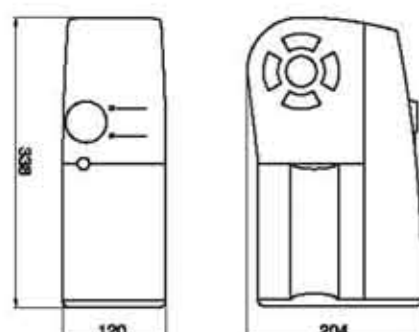
Automation for sectional and up and over doors.



VIS

For sectional doors over 22 sq.mt. and until 34 sq. mt. it needs the use of kit VISCH

**NEW
VERSION**



Irreversible electromechanical gear motor for sectional door and sliding book doors.

Code	Door	Motor	Description	Pcs / Pallet
VIS	22/34* mq	230V a.c.	Irreversible electromechanical gear motor equipped with encoder and open/close limit switch. Central command unit not integrated on board.	18

* with VISCH accessories