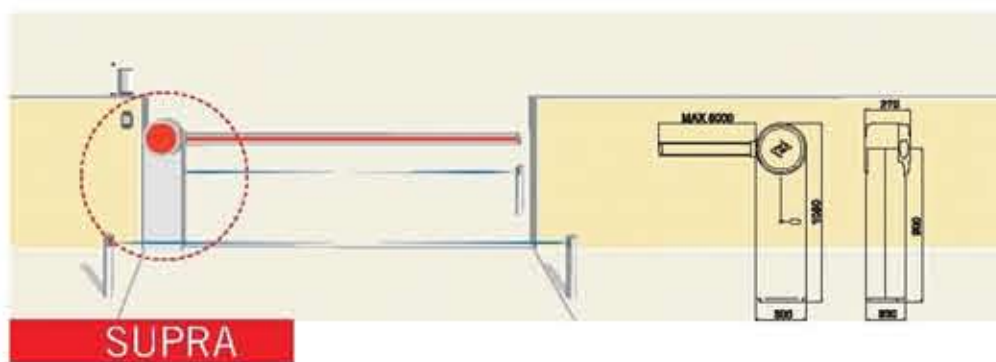
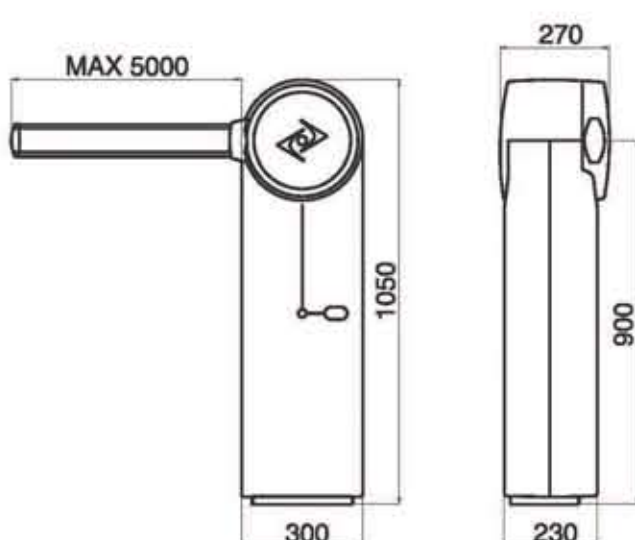


SU4 24		PARAMETRI DI SELEZIONE DELLE MOLLE DI BILANCIAMENTO			
		3mt	4 mt	5 mt	
Lunghezza max asta	m	5			
Alimentazione da rete	V	230V 50Hz			
Alimentazione motore	V	24V			
Potenza	W	150			
Coppia	Nm	150			
Temperatura di esercizio °C Min/Max		-20 +70			
Grado di protezione	IP	44			
Intermittenza lavoro	%	80			
Tempo di apertura	s	2 + 5			
		Asta semplice + gomma protettiva	SUM1	SUM1	SUM2
		Asta scanalata + gomma protettiva	SUM1	SUM2	SUM3
		Asta scanalata + gomma protettiva + cordone luminoso	SUM2	SUM3	SUM3
		Asta scanalata + gomma protettiva + appoggio mobile	SUM2	SUM3	SUM3
		Asta scanalata + gomma protettiva + cordone luminoso + appoggio mobile	SUM2	SUM3	SUM3

Nota: Le combinazioni riportate in tabella sono puramente indicative e rappresentano solo alcuni tra i casi più comuni di installazione. Per quanto non contemplato nella suddetta tabella contattare il servizio assistenza e consulenza LIFE.



SUPRA

Automatic road barrier with boom up to 5 meters.

Code	Motor	Description
SU4 24	24V d.c.	Irreversible electromechanical gear motor mounted on a galvanized steel box with plastic shockproof cover.
3 rida 5 mt. max		Model equipped with encoder, electromechanical limit switches in opening and closing and central command unit. (RG1A 24).

SUB3 Modular channelled boom L= 3,3 meters. (Pcs/Box 1)	SUB4 Modular channelled boom L= 4,3 meters. (Pcs/Box 1)	SUB5 Modular channelled boom L= 5,3 meters. (Pcs/Box 1)	SUE1 Soleplate with clamps (Pcs/Box 1)
SUC1 Protective rubber L= 10 meters with accessories. (Pcs/Box 1)	SUM1 Balancing spring (Pcs/Box 1)	SUM2 Balancing spring (Pcs/Box 1)	SUM3 Balancing spring (Pcs/Box 1)

SU4 24		CRITERIA FOR CHOOSING THE BALANCING SPRING			
		3 mt	4 mt	5 mt	
Max length boom	M	5			
Power supply	V	230V 50Hz			
Motor supply	V	24V			
Power	W	150			
Pair	Nm	150			
Working temperature	°C Min/Max	-20 +70			
Protection level	IP	44			
Intermittance work cycle	%	80			
Opening time	s	2 + 5			
		Single boom + protective rubber	SUM1	SUM1	SUM2
		Channelled boom + protective rubber	SUM1	SUM2	SUM3
		Channelled boom + luminous cordon + protective rubber	SUM2	SUM3	SUM3
		Channelled boom + protective rubber + movable stand	SUM2	SUM3	SUM3
		Channelled boom + protective rubber + luminous cordon + movable stand	SUM2	SUM3	SUM3

Note: The above combinations are merely indicative and represent just a few among the most common installations. For support in cases not contemplated above please contact LIFE technical assistance and partners.

SUC3 Kit connecting cable for illuminated cordon	SUC2 Illuminated cordon for channelled booms	SUC5 Profile for protective with illuminated cordon (1-2 versions). (Mets/Box 20)
SUSPL Light barrier (Pcs/Box 1)	SUC4 Reflecting band (Pcs/Box 10)	SUD1 Fixed stand for SU4 and SUB. (Pcs/Box 1)
SUD2 Movable stand for boom SUB. (Pcs/Box 1)	SUS1 Supporting rack for AGE12 batteries. (Pcs/Box 1)	AGECH XL Battery charger additional circuit for control boards. (Pcs/Box 1)
AGE12 Battery 12V - 2,3 Ah. (Pcs/Box 2)		

Road Barriers