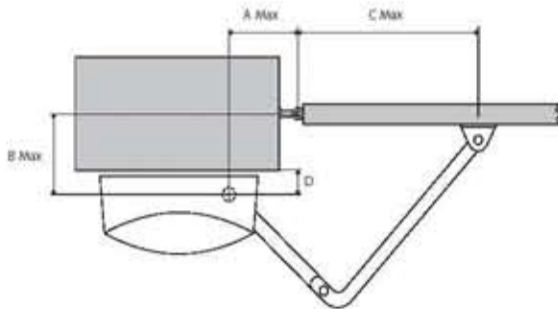


# SINUO



	STANDARD	ARMAX XL
A Max	160	420
B Max	370	470
C Max	480	820
D	87	87

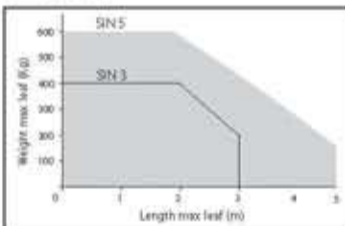
Electromechanical irreversible gear motor with articulated arm for swing gates. External mounting.

Code	Door	Motor	Description	Pcs / Pallet
SIN 3 UNI DL	3 m	230V a.c.	Fast version equipped with electric open / close stopping. Capacitor supplied. Central unit not included.	20
SIN 5 UNI L DL	5 m	230V a.c.	Slow version equipped with electric open / close stopping. Capacitor supplied. Central unit not included.	20

	SIN 3	SIN 5
Max weight wing (see graphic)	400	600
Max length wing (see graphic)	3	5
Motor	230 V 50 Hz	230 V 50 Hz
Power	220	220
Thrust	280	350
Working temperature	°C Min/Max -20 +70	-20 +70
Protection level	IP 44	44
Intermittence work cycle	% 35	35
Time for 90° cycle	s 12	18
Speed	rpm 1,7	1,1
Protection Level	°C 140	140

Automation for swing gates

Limit use SINUO



Reduce Limit use in case of windy area, or particular structural shape of the gate.

**ARMAX XL**



Oversized articulated arm.

**ASECXL**



External unblocking device with metallic cable.

**DOS**



Key selector to release mechanically the lock.

**AELVE**



Vertical Electrolock.  
(Pcs/Box 1)

**AELOR**



Horizontal electrolock.  
(Pcs/Box 1)

**GE UNI RS DL**



Control unit.  
(Pcs/Box 1)

**TL**



Warning sign.